

# DAYLEAD



## COMPANY PROFILE >>>

Foshan Newcon Daylead Technology Co., Ltd. is a professional factory which specialized in designing and manufacturing LED Headlight, LED work light, LED auto light, Multi color headlight. The products are used in cars. Motorcars, and trucks and so on.

In order to produce high quality LED products, we build large enough dust-free workshop about 5000 square meter. There are 10 professional person in research team with more than 150 workers, all equipped with the most advanced instrument for latest products.

With 24 years of experience, Our company insists on using all imported components, and meets the RoHS/CE/EMARK/DOT/IP65 requirements completely. Our products had been sold to 82 countries, and established our export office and warehouse in USA and Mexico.



Most favorable price with high quality products guaranteed!  
OEM and ODM order available



Promise a rapid delivery ( we have stock for most of products both in China and USA)



Very strict quality control system to make sure every production process under well conditions

# Modern Design Easy Installation

ZX-1

Stable Power  
Insert Directly

**22W** **2000LM**  
Power Lumen

**99%**

Suitable for car,taxi,offroad vehicles

With canbus  
Handed over industrial decoding problems to Daylead!



**Model: 4D**



Power: 26W
Lumen: 2800LM
Color Temperature: 6000K
Light-emitting forms: Low beam /High beam
Type: H1,H3,H4/HB2/9003,H7,H8/H9/H11, H13,9005/H10/HB3,9006/HB4,9012,9004 /HB1,9007/HB5,880/881,5202/H16

**Model: DB**



Power: 22W
Lumen: 2200LM
Color Temperature: 6000K
Light-emitting forms: Low beam /High beam
Type: H1,H3,H4/HB2/9003,H7,H8/H9/H11, H13,9005/H10/HB3,9006/HB4,9012,9004 /HB1,9007/HB5,880/881,5202/H16

**Model:V5**



Power:26W
Lumen:2600LM
Color Temperature: 6000K
Light-emitting forms:Low beam /High beam
Type: H1,H3,H4,H7,H8/H9/H11, 9005/H10/HB3,9006/HB4,9012

**Model:C6**



Power:18W
Lumen:1800LM
Color Temperature: 6000K
Light-emitting forms:Low beam /High beam
Type: H1,H3,H4/HB2/9003,H7,H8/H9/H11, H13,9005/H10/HB3,9006/HB4,9012,9004 /HB1,9007/HB5,880/881,5202/H16

**Model: 6D**

Power: 26W
Lumen: 2600LM
Color Temperature: 3000k/6000K
Light-emitting forms: Low beam /High beam
Type: H1,H3,H4/HB2/9003,H7,H8/H9/H11,H13,9005/H10/HB3, 9006/HB4,9012,9004/HB1,9007/HB5,880/881,5202/H16



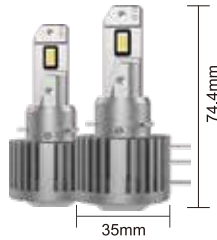


**D1S/D2S/D3S/D4S/D5S/D8S**



Power: 38W  
 Lumen: 3800LM  
 Color Temperature: 6000K  
 Light-emitting forms: Low beam /High beam  
 Type: D1S,D2S,D3S,D4S,D5S,D8S

**Model:H15**



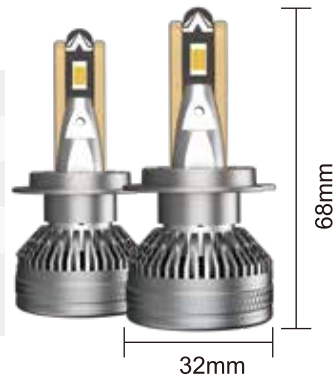
Power:38W  
 Lumen:3800LM  
 Color Temperature: 6000K  
 Light-emitting forms:Low beam /High beam  
 Type: H15

**Model:Mini Series**



Power:35W  
 Lumen:2500LM  
 Color Temperature: 6000K  
 Light-emitting forms:Low beam /High beam  
 Type: H1,H7,H8/H9/H11,9005/H10/HB3,9006/HB4,9012

**Model: G123-P**



Power:35W  
 Lumen:3500LM  
 Color Temperature: 6000K  
 Light-emitting forms:Low beam /High beam  
 Type: H1,H4,H7,H8/H9/H11,H13,9005/H10/HB3,9006/HB4,9012

**Model:V11P**



Power:40W  
 Lumen:4000LM  
 Color Temperature: 6000K  
 Light-emitting forms:Low beam /High beam  
 Type: H1,H3,H4/HB2/9003,H7,H8/H9/H11,H13,9005/H10/HB3,9006/HB4,9012,9004/HB1,9007/HB5,880/881,5202/H16

**Model:X0**



Power:30W  
 Lumen:2800LM  
 Color Temperature: 6000K  
 Light-emitting forms:Low beam /High beam  
 Type: H1,H4,H7,H8/H9/H11,9005/H10/HB3,9006/HB4,9012

**Model:X3**

Power:45W  
 Lumen:4000LM  
 Color Temperature: 6000K  
 Light-emitting forms:Low beam /High beam  
 Type: H1,H4,H7  
 Voltage: 16-60V

**Model:Y2**



Power:32W  
 Lumen:2500LM  
 Color Temperature: 6000K  
 Light-emitting forms:Low beam /High beam  
 Type: H1,H3,H4/HB2/9003,H7,H8/H9/H11,H13,9005/H10/HB3,9006/HB4,9012,9004/HB1,9007/HB5,880/881,5202/H16

**Model:X2**

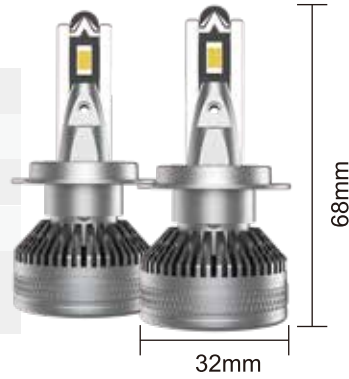


Power:40W  
 Lumen:3800LM  
 Color Temperature: 6000K  
 Light-emitting forms:Low beam /High beam  
 Type: H1,H4,H7,H8/H9/H11,9005/H10/HB3,9006/HB4,9012



**Model: G123**

Power:48W  
 Lumen:4500LM  
 Color Temperature: 6000K  
 Light-emitting forms:Low beam /High beam  
 Type: H1,H4,H7,H8/H9/H11,H13,9005/H10/HB3,9006/HB4,9012



**Model: X4**



Power:48W  
 Lumen: 4500LM  
 Color Temperature: 6000K  
 Light-emitting forms: Low beam /High beam  
 Type: H1,H3,H4/HB2/9003,H7,H8/H9/H11,H13,9005/H10/HB3,9006/HB4,9012,9004 /HB1,9007/HB5

**Model:G122**



Power:50W  
 Lumen:5500LM  
 Color Temperature: 6000K  
 Light-emitting forms:Low beam /High beam  
 Type: H1,H3,H4/HB2/9003,H7,H8/H9/H11,9005/H10/HB3,9006/HB4,9012,9004 /HB1,9007/HB5

**Model: G11B-PLUS**

Power: 50W  
 Lumen: 5500LM  
 Color Temperature: 6000K  
 Light-emitting forms: Low beam /High beam  
 Type: H1,H3,H4/HB2/9003,H7,H8/H9/H11,H13,9005/H10/HB3,9006/HB4,9012,9004/HB1,9007/HB5,880/881,5202/H16



**Model:V12**



Power:50W  
 Lumen:5000LM  
 Color Temperature: 6000K  
 Light-emitting forms:Low beam /High beam  
 Type: H1,H3,H4/HB2/9003,H7,H8/H9/H11,H13,9005/H10/HB3,9006/HB4,9012,9004 /HB1,9007/HB5,880/881,5202/H16

**Model:V8P**



Power:50W  
 Lumen:5000LM  
 Color Temperature: 6000K  
 Light-emitting forms:Low beam /High beam  
 Type: H1,H3,H4/HB2/9003,H7,H8/H9/H11,H13,9005/H10/HB3,9006/HB4,9012,9004 /HB1,9007/HB5,880/881,5202/H16

**High Power  
 Super Brightness**

**80W 8000LM**  
 Power Lumen

**V20**

Ending the era of halogen lamp  
 Brightness is 300% higher than xenon lamps!





**Model: M3**



Power: 20W  
 Lumen: 2000LM  
 Color Temperature: 6000K  
 Light-emitting forms: Low beam /High beam  
 Type: H1,H3,H4/HB2/9003,H7,H8/H9/H11,H13,9005/H10/HB3,9006/HB4,9012,9004/HB1,9007/HB5,880/881,5202/H16

**Model: M6**



Power: 20W  
 Lumen: 2000LM  
 Color Temperature: 6000K  
 Light-emitting forms: Green/Yellow/White  
 Type: H1,H3,H4/HB2/9003,H7,H8/H9/H11,H13,9005/H10/HB3,9006/HB4,9012,9004/HB1,9007/HB5,880/881,5202/H16

**Model:F10**



Power:26W  
 Lumen:2300LM  
 Color Temperature: 6000K  
 Light-emitting forms:Low beam /High beam  
 Type: H1,H3,880,H7,H11,9005,9006,9012,H16,H4,H13,9004,9007

**Model:F10R**



Power:18W  
 Lumen:1200LM  
 Color Temperature: 6000K  
 Light-emitting forms:Low beam /High beam  
 Type: H1,H3,880,H7,H11,9005,9006,H4,H13,9004,9007

**Model:V13**



Power:28W  
 Lumen:2000LM  
 Color Temperature: 6000K  
 Light-emitting forms:Low beam /High beam  
 Type: H1,H3,H7,H8/H9/H11,9005/HB3,9006/HB4,9012/HIR2,880,5202,H4,H13,9004,9007

**Model:T1**



Power:25W  
 Lumen:1600LM  
 Color Temperature: 6000K  
 Light-emitting forms:Low beam /High beam  
 Type: H1,H3,H4/HB2/9003,H7,H8/H9/H11,H13,9005/H10/HB3,9006/HB4,9012,9004/HB1,9007/HB5,880/881,5202/H16

**Model:Y20**



Power:26W  
 Lumen:2200LM  
 Color Temperature: 6000K  
 Light-emitting forms:Low beam /High beam  
 Type: H1,H3,H7,H8/H9/H11,9005/HB3,9006/HB4,9012/HIR2,880,5202,H4,H13,9004,9007

**Model:FHL**



Power:28W  
 Lumen:2600LM  
 Color Temperature: 6000K  
 Light-emitting forms:Low beam /High beam  
 Type: H1,H3,H4/HB2/9003,H7,H8/H9/H11,H13,9005/H10/HB3,9006/HB4,9012,9004/HB1,9007/HB5,880/881,5202/H16

**Model:F2**



Power:28W  
 Lumen:1800LM  
 Color Temperature: 6000K  
 Light-emitting forms:Low beam /High beam  
 Type: H1,H3,H7,H8/H9/H11,9005/HB3,9006/HB4,9012/HIR2,880,5202,H4,H13,9004,9007

**Model:F2-V6**



Power:25W  
 Lumen:1500LM  
 Color Temperature: 6000K  
 Light-emitting forms:Low beam /High beam  
 Type: H1,H3,H7,H8/H9/H11,9005/HB3,9006/HB4,9012/HIR2,880,5202,H4,H13,9004,9007

**Model:4D-V7**



Power:22W  
 Lumen:2200LM  
 Color Temperature: 6000K  
 Light-emitting forms:Low beam /High beam  
 Type: H1,H3,H7,H8/H9/H11,9005/HB3,9006/HB4,9012/HIR2,880,5202,H4,H13,9004,9007

**Model: V9/V9R**



Power:30W  
 Lumen:2800LM  
 Color Temperature: 6000K  
 Light-emitting forms: White/Yellow  
 Type: H1,880,H7,H11/H9,9005/HB3,9006/HB4,H4,H13,9004,9007

**Model:S2**



Power:22W  
 Lumen:1200LM  
 Color Temperature: 6000K  
 Light-emitting forms:Low beam /High beam  
 Type: H1,H3,H7,H8/H9/H11,9005/HB3,9006/HB4,9012/HIR2,880,5202,H4,H13,9004,9007

**Model:X3**



Power:20W  
 Lumen:1200LM  
 Color Temperature: 6000K  
 Light-emitting forms:Low beam /High beam  
 Type: H1,H3,H4/HB2/9003,H7,H8/H9/H11,H13,9005/H10/HB3,9006/HB4,9012,9004/HB1,9007/HB5,880/881,5202/H16

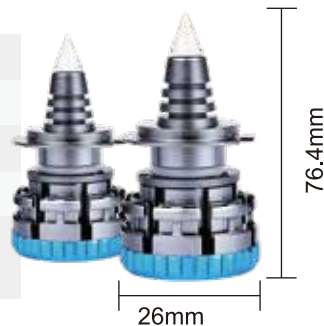
**Model: T5**

Power: 20W  
 Lumen: 1500LM  
 Color Temperature: 6000K  
 Light-emitting forms: White/Yellow/Blue/Pink  
 Type: H1,H3,H4/HB2/9003,H7,H8/H9/H11,H13,9005/H10/HB3,9006/HB4,9012,9004/HB1,9007/HB5,880/881,5202/H16



**Model:Q9**

Power:45W  
 Lumen:3000LM  
 Color Temperature: 6000K  
 Light-emitting forms: Low beam /High beam  
 Type: H7,H11,9005,9006,9012



*With good service, we are looking forward to cooperate with you.*



**ZX-1**  
22W



**X0**  
30W



**G123-P**  
35W



**H15**  
38W



**X2**  
40W



**X3**  
45W



**G123**  
48W



**X4**  
48W



**IC Control Series**

# IC Control High Brightness





- Model: MLH06 ■ Power: 20W
- Lumen: 3000LM ■ Voltage: 10-100V
- Color Temperature: 6500K
- Light-emitting forms: Low beam /High beam




Model:MLH05	Power:15W
Lumen:1500LM	Voltage:10-100V
Color Temperature: 6500K	
Light-emitting forms:Low beam /High beam	




Model:MLH13-1	Power:36W
Lumen:2100LM	Voltage:10-100V
Color Temperature: 6500K	
Light-emitting forms:Low beam /High beam	




Model:MLH08	Power:14W
Lumen:2000LM	Voltage:10-100V
Color Temperature: 6500K	
Light-emitting forms:High&low beam + blue lights on top	




Model:MLH02	Power:8W
Lumen:1200LM	Voltage:10-100V
Color Temperature: 6500K	
Light-emitting forms: Strong light + 7 color burst flashing	



Model:MLH09	Power:12W
Lumen:1800LM	Voltage:10-100V
Color Temperature: 6500K	
Light-emitting forms:Low beam /High beam	



Model:MLH10	Power:6W
Lumen:900LM	Voltage:10-80V
Color Temperature: 6500K	
Light-emitting forms:Low beam /High beam	



Model:MLH12	Power:10W
Lumen:1500LM	Voltage:10-100V
Color Temperature: 6500K	
Light-emitting forms:Low beam /High beam	



Model:MLH13	Power:14W
Lumen:2000LM	Voltage:10-100V
Color Temperature: 6500K	
Light-emitting forms:Low beam /High beam	




- Model: MLH11 ■ Power: 8W
- Lumen: 1200LM ■ Voltage: 10-80V
- Color Temperature: 6500K
- Light-emitting forms: Low beam /High beam






- Model: MLH01    ■ Power: 24W
- Lumen: 3000LM    ■ Voltage: 10-100V
- Color Temperature: 6500K
- Light-emitting forms: Low beam /High beam



Model:MLH04	Power:13W
Lumen:1500LM	Voltage:10-100V
Color Temperature: 6500K	
Light-emitting forms:Low beam /High beam	



Model:MLH04	Power:24W
Lumen:2800LM	Voltage:10-100V
Color Temperature: 6500K	
Light-emitting forms:Low beam /High beam	



Model:MLH15	Power:40W
Lumen:4200LM	Voltage:10-100V
Color Temperature: 6500K	
Light-emitting forms:yellow low beam,white high beam	



Model:MLH14	Power:20W
Lumen:4200LM	Voltage:10-100V
Color Temperature: 6500K	
Light-emitting forms:Low beam /High beam	



Model:MLH16	Power:10W
Lumen:1000LM	Voltage:10-100V
Color Temperature: 6500K	
Light-emitting forms:High&low beam+flash blasting	



Model:MLH22	Power:90W
Lumen:6000LM	Voltage:10-80V
Color Temperature: 6500K	
Light-emitting forms:high beam	



Model:MLH36	Power:20W
Lumen:4200LM	Voltage:10-60V
Color Temperature: 6500K	
Light-emitting forms:Low beam /High beam	




Model:	Power:24W
Lumen:2400LM	Voltage:10-80V
Color Temperature: 6500K	
Light-emitting forms:red/blue/pink+dazzling light	




- Model: MLH19    ■ Power: 36W
- Voltage: 10-80V
- Color Temperature: 6500K
- Light-emitting forms: 3 color aperture




- Model: MLH29    ■ Power: 62W
- Lumen: 4200LM    ■ Voltage: 10-100V
- Color Temperature: 6500K
- Light-emitting forms: Low beam /High beam



Model:MLH20	Power:30W
Lumen:3000LM	Voltage:10-100V
Color Temperature: 6500K	
Light-emitting forms: high beam	



Model:MLH04	Power:30W
Lumen:3000LM	Voltage:10-100V
Color Temperature: 6500K	
Light-emitting forms:yellow low beam,white high beam	



Model:MLH23	Power:40W
Lumen:4000LM	Voltage:10-100V
Color Temperature: 6500K	
Light-emitting forms:yellow low beam,white high beam	



Model:MLH24	Power:60W
Lumen:6000LM	Voltage:10-100V
Color Temperature: 6500K	
Light-emitting forms:White light + white light flashing + yellow flowing light	




Model:MLH25	Power:60W
Lumen:6000LM	Voltage:10-60V
Color Temperature: 6500K	
Light-emitting forms:Low beam /High beam	



Model:MLH26	Power:40W
Lumen:4000LM	Voltage:10-60V
Color Temperature: 6500K	
Light-emitting forms:Low beam /High beam	



Model:MLH27	Power:40W
Voltage:10-60V	
Color Temperature: 6500K	
Light-emitting forms:Low beam /High beam	



Model:MLH35	Power:40W
Lumen:4000LM	Voltage:10-80V
Color Temperature: 6500K	
Light-emitting forms:Low beam /High beam	



- Model: MLH33    ■ Power:24W
- Lumen: 2400LM    ■ Voltage: 10-80V
- Color Temperature: 6500K
- Light-emitting forms: low/high beam +angle cover +angle cover +7 color dazzling



Model:MLH17	Power:30W
Lumen:3000LM	Voltage:12-40V
Color Temperature: 6500K	
Light-emitting forms:yellow low beam,white high beam	



Model:MLH28	Power:40W
Lumen:4000LM	Voltage:10-60V
Color Temperature: 6500K	
Light-emitting forms:High&low beam + Turing signal light	



Model:MLH30	Power:39W
Lumen:4000LM	Voltage:10-60V
Color Temperature: 6500K	
Light-emitting forms:Low beam /High beam	



Model:MLH31	Power:75W
Lumen:7000LM	Voltage:10-60V
Color Temperature: 6500K	
Light-emitting forms:Low beam /High beam	



Model:MLH32	Power:24W
Lumen:2400LM	Voltage:10-100V
Color Temperature: 6500K	
Light-emitting forms:high and low beam light separate	



Model:MLH34	Power:60W
Lumen:6000LM	Voltage:10-60V
Color Temperature: 6500K	
Light-emitting forms:High&low beam + aperture	

With Good service, we are looking forward to cooperation with u